

GENERAL NOTES

- WORK PERFORMED SHALL COMPLY WITH THE FOLLOWING:
 - THE VIRGINIA UNIFORM STATEWIDE BUILDING CODE (VUBC), 2006 EDITION
 - THE INTERNATIONAL BUILDING CODE (IBC), 2006 EDITION AS AMENDED BY THE VUBC.
 - ALL APPLICABLE STATE AND LOCAL CODES, ORDINANCES AND REGULATIONS.
- DESIGN LOADS:
 - BUILDING CLASSIFICATION CATEGORY _____
 - GROUND SNOW P_g _____ 30 PSF*
 FLAT ROOF SNOW LOAD, P_f _____ 20 PSF*
 SNOW EXPOSURE FACTOR, C_e _____ 0.9
 SNOW THERMAL FACTOR, C_t _____ 1.2
 SNOW IMPORTANCE FACTOR, I _____ 0.8
 - WIND SPEED _____ 110 MPH*
 EXPOSURE _____ C*
 IMPORTANCE FACTOR, I _____ 0.87
 INTERNAL PRESSURE COEFFICIENT _____ ±0.18
 - COMPONENTS AND CLADDING (A = 10 SOFT):
 ROOF WIND LOADINGS:
 ZONE 1 _____ +12.5, -21.8 PSF*
 ZONE 2 _____ +12.5, -36.5 PSF*
 ZONE 3 _____ +12.5, -55.0 PSF*
 - LIVE LOADS:
 SLOPED ROOF _____ 100 PSF
 - SEISMIC DESIGN:
 SEISMIC IMPORTANCE FACTOR, I _____ 1.0
 MAPPED SPECTRAL RESPONSE ACCELERATION S_a @ 0.2s* _____ 0.42s*
 MAPPED SPECTRAL RESPONSE ACCELERATION S_w @ 0.15s* _____ 0.15s*
 SITE SOIL CLASS _____ D*
 SPECTRAL COEFFICIENT, S_{ds} _____ 0.448*
 SPECTRAL COEFFICIENT, S_{wl} _____ 0.184*
 BASIC STRUCTURAL SYSTEM _____ A*
 SEISMIC FORCE RESISTING SYSTEM _____ BEAR WALL SYSTEM (TABLE 611.6.2)
 DESIGN BASE SHEAR _____ 0.1 KIIPS*
 SEISMIC RESPONSE COEFFICIENT C_s _____ 0.128*
 RESPONSE MODIFICATION FACTOR R _____ 3.5
 SEISMIC ANALYSIS _____ EQUIV. LATERAL FORCE PROCEDURE

- * VERIFY WITH LOCAL JURISDICTION
- THE CONTRACTOR SHALL VERIFY DIMENSIONS IN FIELD PRIOR TO FABRICATION OF MEMBERS AND COMMENCING WORK.
 - PROVIDE TEMPORARY BRACINGS AS REQUIRED TO RESIST WIND AND OTHER LOADS DURING CONSTRUCTION.
 - THE CONTRACTOR SHALL PROTECT EXISTING STRUCTURES, EQUIPMENT, ADJACENT GROUNDS AND PLANTS DURING ALL PHASES OF CONSTRUCTION. THE CONTRACTOR SHALL REPAIR AND/OR REPLACE, AT NO ADDITIONAL COSTS TO THE OWNER, ANY ITEMS DAMAGED DURING THE CONSTRUCTION.

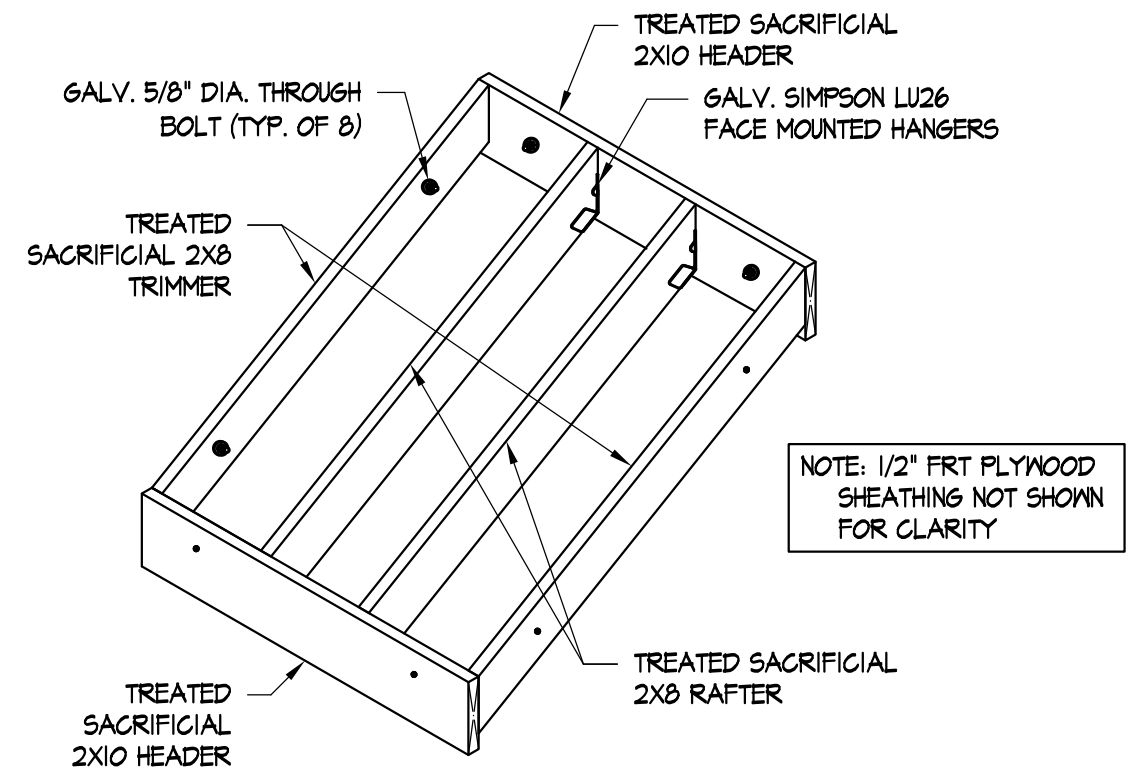
WOOD

WOOD FRAMING IS BASED ON DESIGN VALUES NOTED IN THE NATIONAL DESIGN SPECIFICATION FOR WOOD CONSTRUCTION, 2005 EDITION.

- ALL STRUCTURAL LUMBER, UNLESS OTHERWISE NOTED, SHALL BE NO. 2 SOUTHERN YELLOW PINE (KILN DRIED), SURFACED, WITH A MAXIMUM 19% MOISTURE CONTENT, WITH THE FOLLOWING MINIMUM NON-FACTORED ALLOWABLE STRESSES:

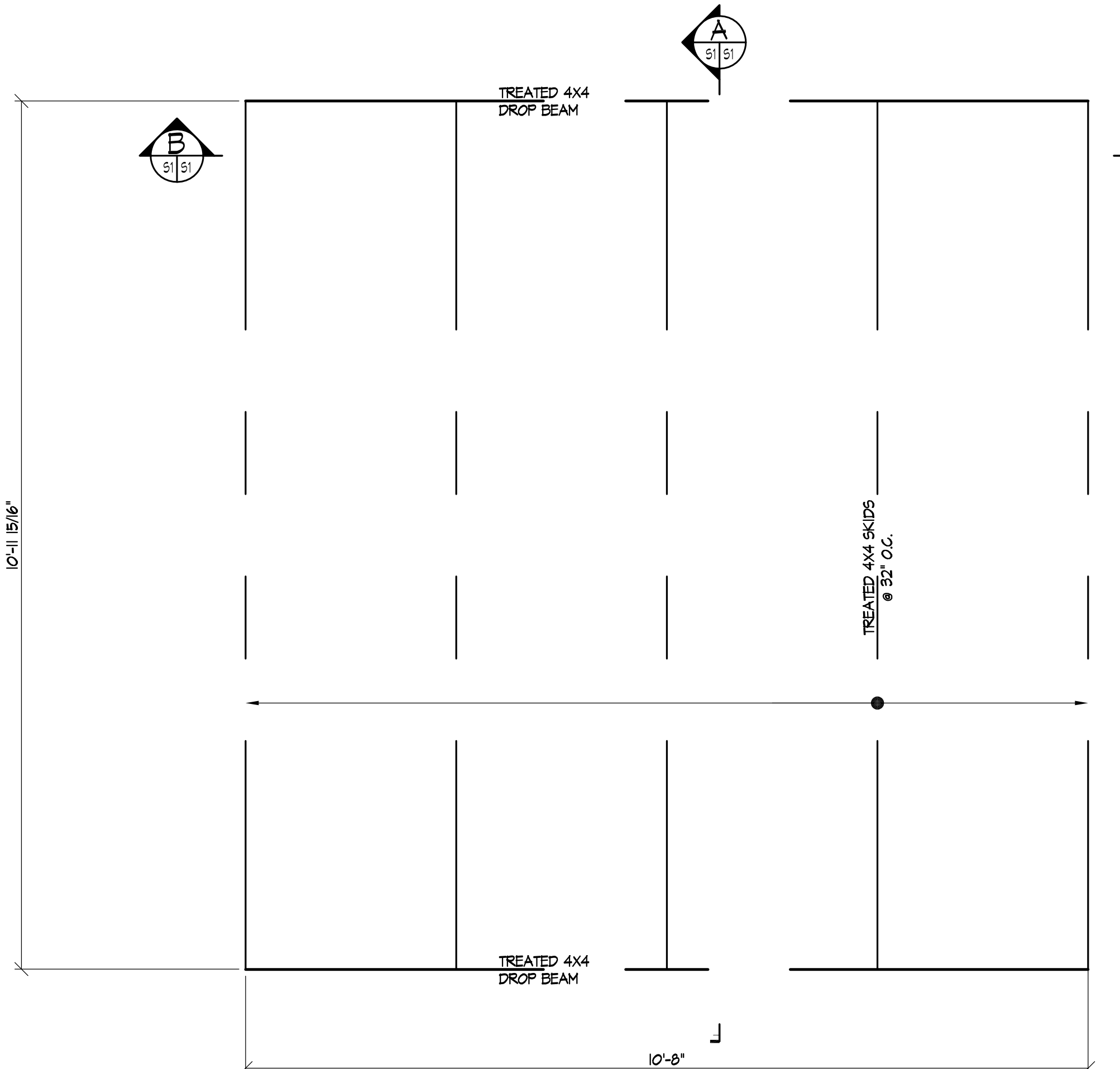
A. EXTREME FIBER STRESS	F _b =	2 X 8	2 X 10	2 X 12
B. HORIZONTAL SHEAR STRESS	F _v =	175 PSI	175 PSI	175 PSI
C. COMPRESSION PERP. TO GRAIN	F _{c⊥} =	565 PSI	565 PSI	565 PSI
D. COMPRESSION PARALLEL TO GRAIN	F _c =	1,550 PSI	1,500 PSI	1,500 PSI
E. MODULES OF ELASTICITY	E =	1,600,000 PSI	1,600,000 PSI	1,600,000 PSI

- EXTERIOR AND INTERIOR WALL STUDS SHALL BE CONSTRUCTED WITH NO. 2 SPRUCE PINE FIR (SPF) WITH MINIMUM F_b = 875 PSI AND E = 1,400,000 PSI ALLOWABLE STRESSES.
- ALL WOOD IN CONTACT WITH EXTERIOR ELEMENTS, CONCRETE OR MASONRY SHALL BE TREATED WITH AN APPROVED PRESERVATIVE IN ACCORDANCE WITH ANPA STANDARDS.
- FASTENERS FOR PRESERVATIVE-TREATED AND FIRE-RETARDANT-TREATED WOOD SHALL BE OF HOT-DIPPED ZINC COATED GALVANIZED STEEL WITH A 6185 COATING, STAINLESS STEEL, SILICON BRONZE, OR COPPER.
- MULTIPLE MEMBERS, EXCEPT ROOF TRUSSES, SHALL BE FASTENED TOGETHER WITH A MINIMUM (2) ROWS OF 16D NAILS.
- ALL PLYWOOD SHALL BE MANUFACTURED AND GRADED IN ACCORDANCE WITH U.S. DEPARTMENT OF COMMERCE (DOC) PRODUCT STANDARD PS 1-45 FOR PLYWOOD CONSTRUCTION FROM GROUP 1 SPECIES. EACH PLYWOOD SHEET SHALL BEAR THE "APA" GRADE TRADEMARK.
- PLYWOOD ROOF SHEATHING SHALL CONFORM TO APA C-D RATED EXTERIOR 19/32" (5/8") MINIMUM THICKNESS PLYWOOD SHEATHING UNLESS NOTED OTHERWISE. PROVIDE APPROPRIATE SPACING BETWEEN BUTT JOINTS. USE OF "H" CLIPS REQUIRED ON ROOF SHEATHING.
- THE FACE GRAIN OF THE PLYWOOD SHALL BE LAID AT RIGHT ANGLES TO THE JOISTS AND RAFTERS AND PARALLEL TO WALL STUDS.
- ALL PLYWOOD END JOINTS SHALL BE STAGGERED AND SHALL BE LOCATED ALONG THE CENTER LINES OF THE FRAMING MEMBERS.
- NAILS SHALL BE PLACED 3/8" MINIMUM FROM THE EDGE OF THE PLYWOOD SHEETS. THE MINIMUM NAIL PENETRATION INTO FRAMING MEMBERS SHALL BE 1 3/8" FOR 8D NAILS AND 1 1/2" FOR 10D NAILS.



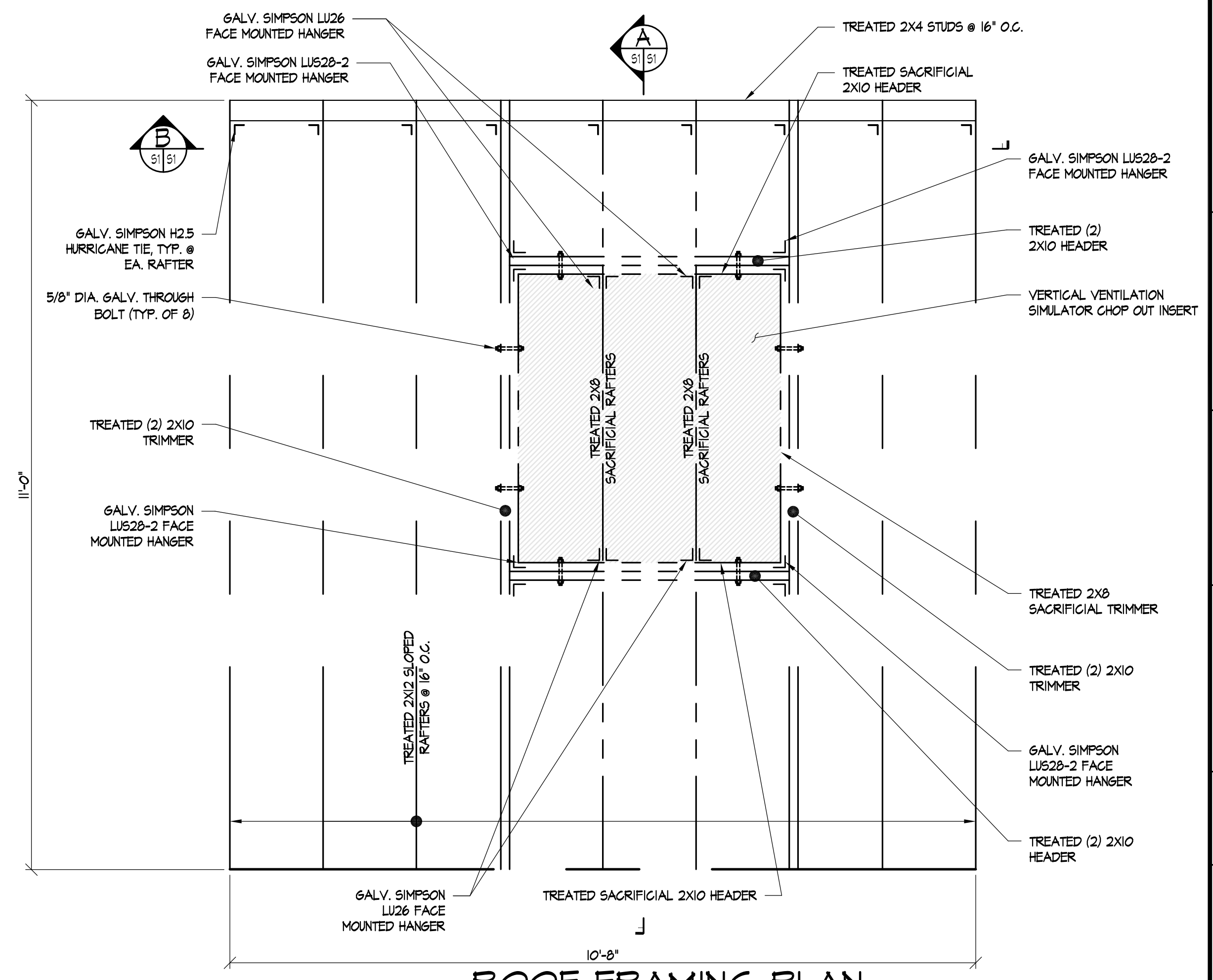
DETAIL VERTICAL VENTILATION SIMULATOR
 SCALE: NONE CHOP OUT INSERT

NOTES:
 1. CHOP OUT INSERT MAY BE REMOVED TO FACILITATE EASY REPLACEMENT OF DAMAGED HEADERS, TRIMMERS, AND PLYWOOD SHEATHING.
 2. MULTIPLE CHOP OUT INSERTS MAY BE CONSTRUCTED. FOLLOWING A VERTICAL VENTILATION TEST, THE USED CHOP OUT INSERT MAY BE SWAPPED OUT WITH THE ADDITIONAL CHOP OUT INSERT TO REDUCE TIME BETWEEN VERTICAL VENTILATION TESTS.

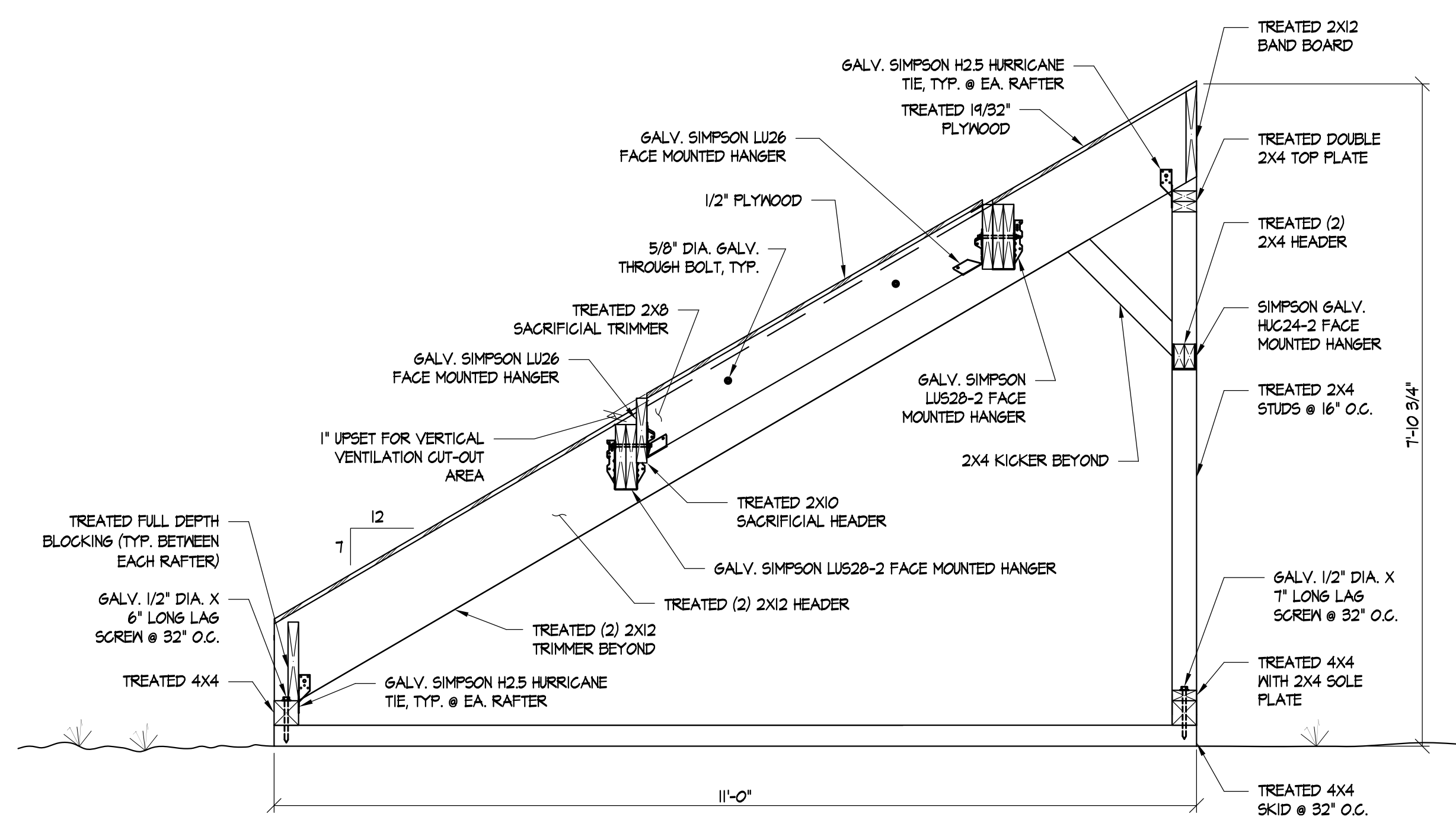


BASE FRAMING PLAN
 SCALE: 3/4" = 1'-0"

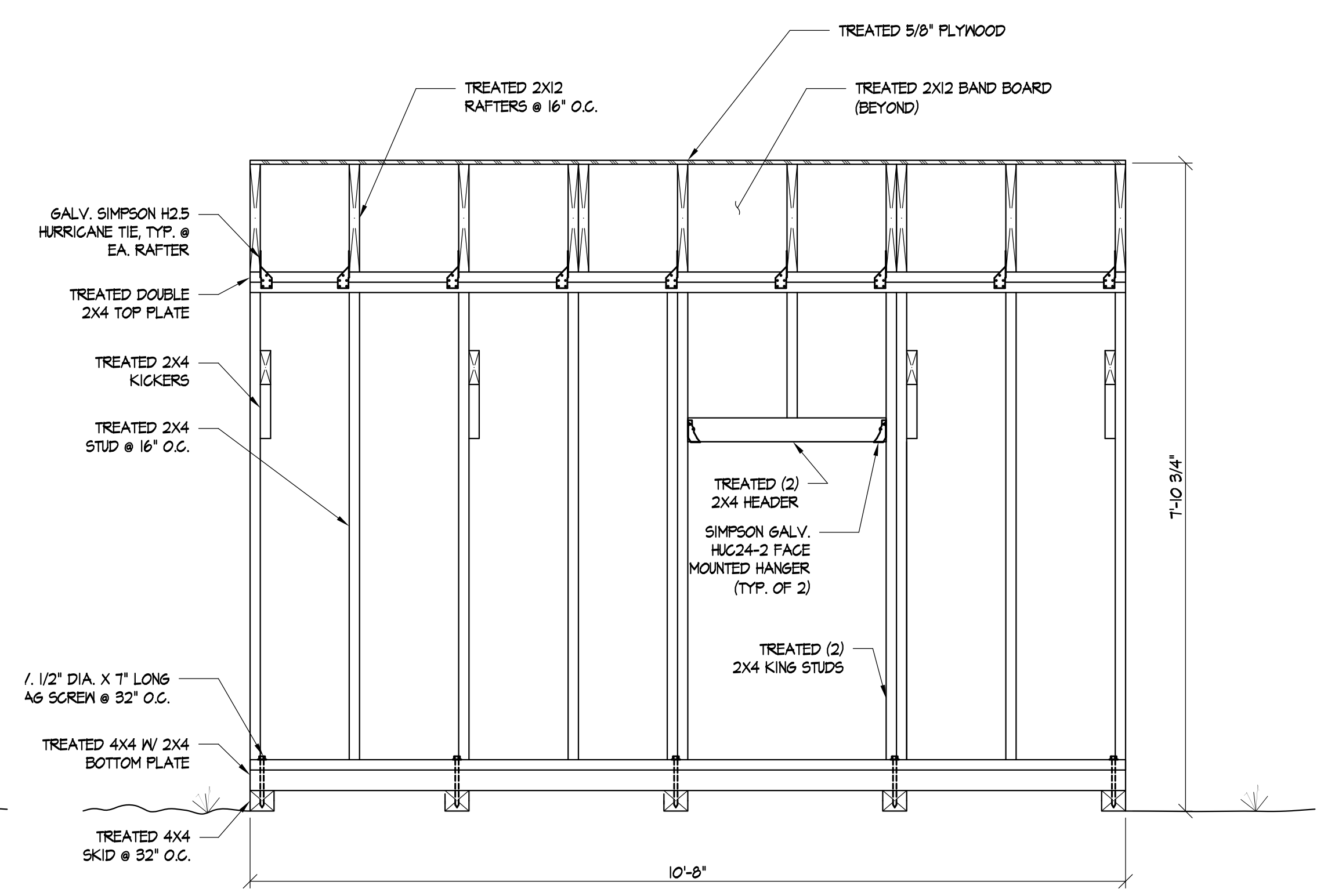
ABBREVIATIONS	
BOTT	BOTTOM
DIA.	DIAMETER
GALV.	GALVANIZED
INFO	INFORMATION
MAX	MAXIMUM
MIN	MINIMUM
O.C.	ON CENTER
TYP.	TYPICAL
W	WITH



ROOF FRAMING PLAN
 SCALE: 3/4" = 1'-0"



SECTION A-A
 SCALE: 3/4" = 1'-0"



SECTION B-B
 SCALE: 3/4" = 1'-0"

Sheet **S1** of 1

GENERAL NOTES, BASE & ROOF FRAMING PLAN, SECTIONS (WOOD)

PITCHED ROOF PROP & VERTICAL VENTILATION SIMULATOR

VA. DEPT. OF FIRE PROGRAMS
 COMMONWEALTH OF VIRGINIA

Project #: VAC0256
 Date: 07/20/10
 Drawn by: AJA
 Reviewed by: MAM

The Structures Group, Inc.
 1200 Old Colony Lane • Williamsburg, VA 23185
 (757)220-0465 • Fax (757)220-1546

Professional Engineer
 MICHAEL A. MATTHEWS
 License No. 072910
 COMMONWEALTH OF VIRGINIA

No. Revisions